

## 400 Line

### 400lt Line Refrigerator 1 Door (-2/+8) - Stainless Steel (R290)

ITEM # \_\_\_\_\_

MODEL # \_\_\_\_\_

NAME # \_\_\_\_\_

SIS # \_\_\_\_\_

AIA # \_\_\_\_\_


**730048 (R04NVF4)**

 1-door Refrigerator  
 400lt, -2+8°C, stainless steel,  
 ventilated, R290

### Short Form Specification

**Item No.** \_\_\_\_\_

Exterior in stainless steel. Interior in white High Impact Polystyrene with rounded corners and 45mm thick insulation. Right hinged full door with lock, reversible on-site. Built-in refrigeration unit; ventilated operating mode; automatic defrost by heating elements and automatic evaporation of defrost water; digital control and temperature display. For ambient temperatures up to 43 °C. HCFC, CFC and HFC free insulation and R290 refrigerant gas.

Supplied with n. 4 grids mm600x400, PE coated.

### Main Features

- Digital control panel allowing the easy and precise setting and control of the internal temperature.
- Shelf runners are thermoformed and are incorporated in the internal structure to be easily cleanable.
- Model requires only 1 phase 230V supply and can be plugged straight into an existing power socket.
- Very quiet operation.
- Whole interior cell with rounded corners is white thermoformed polystyrene, which is impact resistant.
- No joints whatsoever to eliminate dirt traps.
- Simple refrigeration system easily accessible from the rear of the units.
- Fan assisted cooling for even temperature distribution.
- Connectivity ready for real time access to connected appliances from remote and data monitoring (requires optional accessory).

### Construction

- Developed and produced in ISO 9001 and ISO 14001 certified factory.
- All models in range are finished in top quality materials to aid durability.

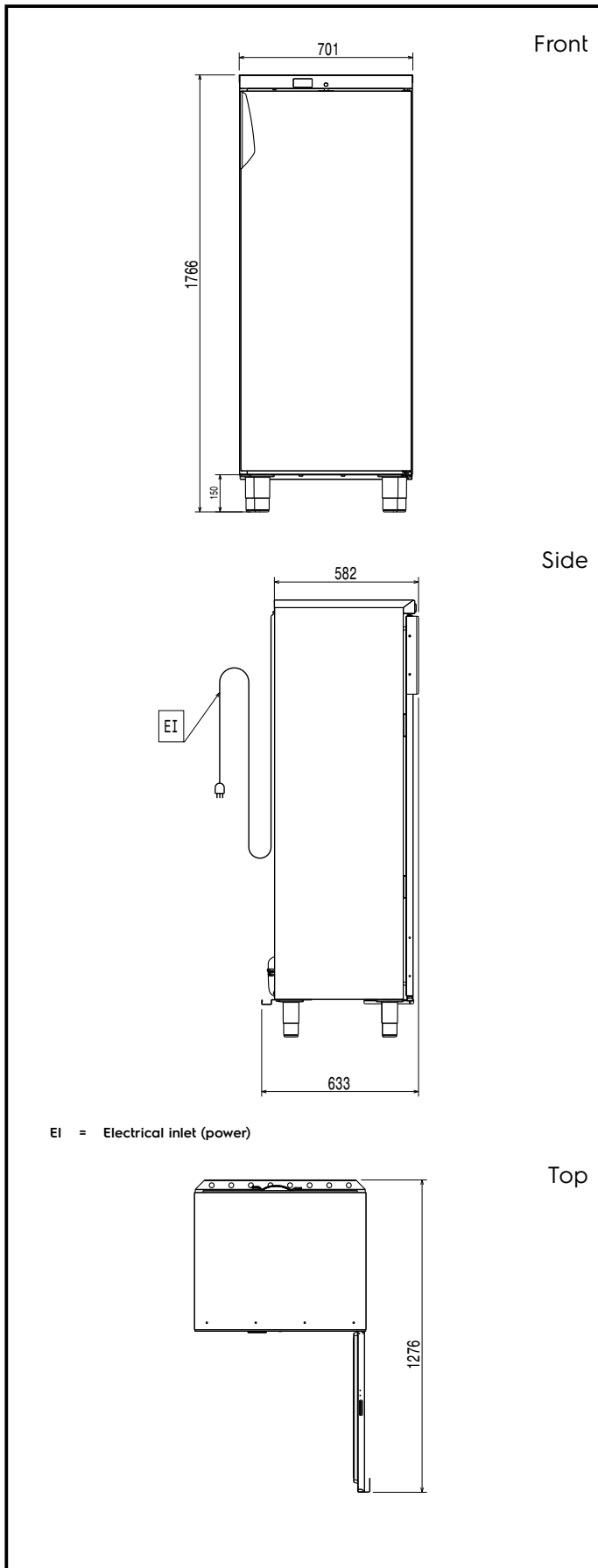
### Included Accessories

- 2 of Pair of grids for 400lt refrigerator, white PNC 880292

### Optional Accessories

- Pair of grids for 400lt refrigerator, white PNC 880292
- Kit of wheels for 400lt refrigerators PNC 880348
- Ethernet connectivity kit IJF for Refrigeration PNC 880685
- Pvc container with false bottom for 400lt PNC 881072

**APPROVAL:** \_\_\_\_\_



## Electric

Supply voltage:	730048 (R04NVF4)	220-240 V/1 ph/50 Hz
Electrical power max.:		0.22 kW

## Key Information:

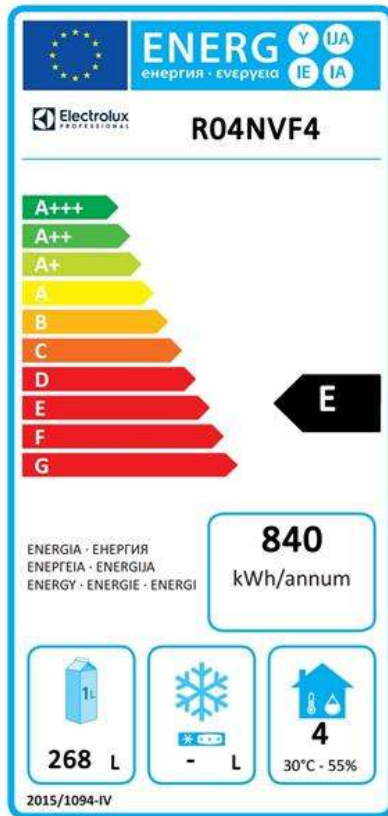
Gross capacity:	400 lt
Net Volume:	268 lt
Door hinges:	Right Side
External dimensions, Width:	701 mm
External dimensions, Depth with Doors Open:	1276 mm
External dimensions, Height:	1766 mm
Number and type of grids (included):	4 - 600x400
Type of external material:	Stainless Steel
External door material:	Stainless Steel

## Refrigeration Data

Control type:	Digital
Compressor power:	1/4 hp
Refrigeration power at evaporation temperature:	-10 °C
Min/Max internal humidity:	70%/85%
Operating temperature min.:	-2 °C
Operating temperature max.:	8 °C
Operating mode:	Ventilated
Cooling unit:	Built-In
Defrost type:	Automatic (electrical)

## Sustainability

Energy Class (EU Reg. 2015/1094):	E
Yearly and daily energy consumption (EU Reg. 2015/1094):	840kWh/year - 2kWh/24h
Climate class (EU Reg. 2015/1094):	Normal duty (cl.4)
Energy Efficiency Index-EEI (EU Reg. 2015/1094):	80,00
Noise level:	58 dBA
Refrigerant type:	R290
GWP Index:	3
Refrigeration power:	320 W
Refrigerant weight:	92 g



### EU energy labelling from 1st July 2016

The European energy labelling scheme for professional refrigerators and freezers is based on requirements setting Minimum Energy Performance standards for commercial refrigeration cabinets sold within the EU.

These requirements are designed to drive energy efficiency and environmentally friendly approach for professionals. The European energy labelling scheme will apply to all manufacturers and importers who sell and market products within the EU and it is mandatory across Europe. Important: all products which consume energy above the minimum level will not be able to be sold within the EU from 1 July 2016.

SI 2020 No. 1528.

Important: all products which consume energy above the minimum level will not be able to be sold within the EU from 1 July 2016.

